



PA6

PA6 (Nylon) is ideal for applications that require a conduit with high impact and abrasion protection with outstanding chemical resistance.

PA6 (Nylon) conforms to FMVSS302, is flame retardant, halogen free and maintains excellent flexibility in temperature extremes of -40°C to 120°C.

PA6 (Nylon) conduit is supplied non-split making it ideal for mining and fuel haul applications when used with the extensive range of Schlemmer sealed fittings.



PPmod (High Temp)

PPmod (High Temperature Polypropylene) makes for a flexible conduit with good impact and abrasion resistance and can withstand a broad range of chemicals.

PPmod has a working temperature range of -40°C to 135°C, is self-extinguishing and conforms to FMVSS302.

PPmod (High Temperature Polypropylene) conduit is supplied non-split as well as in a 'Lockable' format making it ideal for use in engine bays, open environment applications or for application after a harness has been installed.



PP (Standard)

PP (Standard Polypropylene) is used in the manufacture of basic automotive conduit.

FMVSS302 compliant, a temperature range of -40°C to 105°C with basic impact, abrasion and chemical resistance. PP (Standard Polypropylene) is ideal for vehicle interior, chassis and body sections.

PP (Standard Polypropylene) conduit is only available in split configuration and is compatible with a wide range of Schlemmer Hinged Fittings and SEM-FAST adaptors.





Conduit & Conduit Fittings

Polyflex® PA6	9
Polyflex® PPmod	10
PP Split	12
Conduit Tools & Accessories	13
Military Plug Adaptors	17
SEM-FAST Adaptors	18
Threadconnect Adaptors	20
Threadconnect Fittings	22
Threadconnect Reducers	24
Hinged 'T' & 'Y' Fittings	25

Conduit & Conduit Fittings

NW Size Cross Reference

Due to varying sizing methods and manufacturer interpretations there are different sizing formats used for PA6, PP Split and PPmod Lockable conduit.

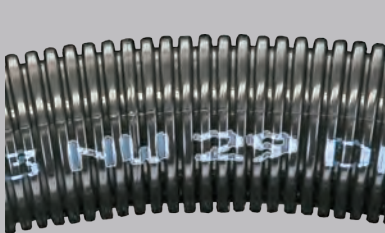
The table below provides a cross-reference for all conduit ranges within this catalogue to Schlemmer NW sizing, and to UK NC sizing.

NW Schlemmer Identification	PA6 Conduit	PPmod Lockable Conduit		PP Split Conduit	NC UK Identification
Size	Part Number	Part Number	NW V	Part Number	Size
NW4.5	1200068	—	—	LT5	NC06
NW6	1200069	—	—	—	NC07
NW7.5	1200070	—	—	LT7	NC08
NW8.5	1200089	—	—	—	NC10
NW10	1200100	1940008	NW8.5 V	LT10	NC12
NW13	1200135	1940011	NW11 V	LT13	NC16
NW14	—	1940013	NW13 V	—	—
NW17	1200178	1940015	NW15 V	LT16	NC20
NW22	1200224	1940019	NW19 V	LT20	NC25
NW26	—	1940026	NW26 V	—	NC30
NW29	1200291	—	—	LT30	NC32
NW37	1200372	—	—	LT36	NC40
NW50	1200500	—	—	—	NC50

Please note that due to many different qualities of split conduit available on the market only IONNIC supplied PP & PPmod Split Conduit is confirmed to match the above NW sizing.

Identification

Marked on all rolls of PA6 & PPmod conduit, as well as all Hinged Fittings and SEM-FAST Fittings is an 'NW' number.



Conduit



Sealed Fittings



Hinged Fittings

Conduit & Conduit Fittings

Polyflex® PA6

- Highly durable & flexible.
- Self-extinguishing, flame retardant & halogen free.
- High chemical, oil & solvent resistance.
- Wide range of sizes.
- Made in Europe.

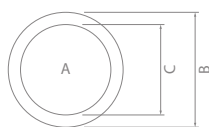
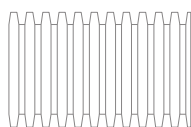


Material : Polyamide 6 (PA6)
 Approvals : TUV, NFR, L.C.O.E., UL, ADR & GGVS
 Burning Behaviour : FMVSS 302, <100mm/min
 UL94 HB
 UV Resistance : DIN EN ISO 8580
 Operating Temperature : Continuous -40°C to 120°C
 Short Term 150°C

Made in Europe



ADR



Polyflex® PA6 Corrugated Conduit (Nylon)

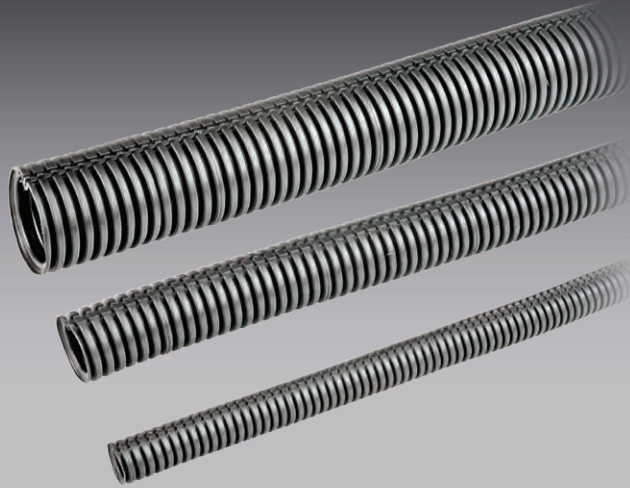
Part No.	NW - A	NC - A	B (mm)	C (mm)	Roll Length (m)
1200068/100	4.5	6	7.1	5.0	100
1200069/100	6.0	7	9.2	6.0	100
1200070/50	7.5	8	10.0	6.7	50
1200807/5000	7.5	8	10.0	6.7	5000*
1200089/50	8.5	10	11.7	8.4	50
1200808/3300	8.5	10	11.7	8.4	3300*
1200100/50	10.0	12	13.0	9.9	50
1200810/3000	10.0	12	13.0	9.9	3000*
1200135/50	13.0	16	15.8	12.7	50
1200813/2000	13.0	16	15.8	12.7	2000*
1200178/50	17.0	20	21.2	16.6	50
1200817/1100	17.0	20	21.2	16.6	1100*
1200224/50	22.0	25	25.4	21.3	50
1200822/700	22.0	25	25.4	21.3	700*
1200291/25	29.0	32	34.5	29.0	25
1200829/450	29.0	32	34.5	29.0	450*
1200372/25	37.0	40	42.4	36.0	25
1200500/25	50.0	50	54.0	47.0	25

* Bulk stock lead times may apply. Supplied in octagon.



Conduit & Conduit Fittings

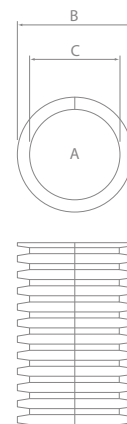
Polyflex® PPmod



Made in Europe

- Available in locking and split styles.
- Incorporated locking mechanism for security and usability.
- Can be reopened after being locked closed.
- Can be closed by hand or for high volumes, closing tool available.
- Self-extinguishing & flame retardant.
- UV resistant & acid proof.
- Ideal for extreme temperature application.
- Made in Europe.

Material : High Temperature Polypropylene
Burning Behaviour : FMVSS 302
 Self-extinguishing Type B & burning rate O (DIN7500)
UV Resistance : DIN EN ISO 8580
Operating Temperature : Continuous -40°C to 135°C
 Short Term 500 hrs @150°C



Polyflex® PPmod Corrugated Conduit – Split

Part No.	NW – A	B (mm)	C (mm)	Roll Length (m)
1927304/100	4.5	7.1	5.0	100
1927306/100	6	9.2	6.0	100
1927308/50	8.5	12.9	8.5	50

Conduit & Conduit Fittings

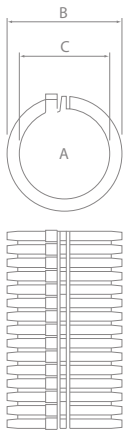
Lockable Conduit

Polyflex PPmod Lockable conduit has been specifically developed to incorporate the convenience of a split conduit combined with the benefits and security of a non-split conduit.

The locking mechanism provides a secure seal which can be simply reopened after locking to allow access to the harness without damaging the conduit in the process.



Can be closed by hand or for high volumes, closing tools are available, see page 16.

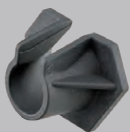


Polyflex® PPmod Corrugated Conduit – Lockable

Part No.	NW V – A	NW – A	B (mm)	C (mm)	Roll Length (m)
1940008/50	8.5	10	12.8	8.6	50
1940011/50	11.0	13	15.7	11.2	50
1940013/50	13.0	14	18.3	12.2	50
1940015/50	15.0	17	21.3	14.9	50
1940019/50	19.0	22	25.6	19.0	50
1940026/25	26.0	26	31.5	24.6	25

NW V size is marked on PPmod Lockable Conduit.

Lockable Conduit Closing Tool

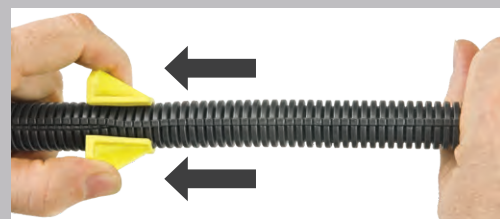


Closing Tool

See page 16 for more details.



Pinch one end of PPmod Lockable conduit closed and squeeze on closing tool.

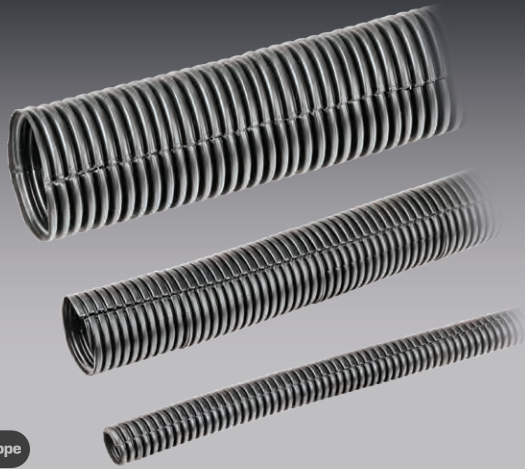


While holding one end pull the locking tool down the length of conduit.



Conduit & Conduit Fittings

PP Split



Made in Europe

- Quick & easy cable insertion.
- Wide range of sizes & lengths available.
- Compatible with a wide selection of the Schlemmer Hinged and SEM-FAST fittings.
- Made in Europe.

Material : Polypropylene
 Operating Temperature : Continuous -20°C to 90°C
 Short Term 120°C



PP Corrugated Conduit – Split

Part No.	NW – A	B (mm)	C (mm)	Roll Length (m)
LT5/100	4.5	8.0	5.0	100
LT7/50	7.5	10.4	7.0	50
LT7/400	7.5	10.4	7.0	400
LT10/30	10	12.8	9.7	30
LT10/250	10	12.8	9.7	250
LT13/30	13	15.7	12.6	30
LT13/150	13	15.7	12.6	150
LT16/30	17	20.9	16.3	30
LT16/100	17	20.9	16.3	100
LT20/30	22	25.2	21.1	30
LT20/100	22	25.2	21.1	100
LT25/50	23	30.0	25.0	50
LT30/50	29	35.0	31.2	50
LT36/25	37	42.0	36.0	25

Only IONNIC supplied PP Split Conduit is confirmed to match NW sizing on the market.
 Not a Schlemmer product.

Conduit & Conduit Fittings

- End Caps/Sleeves suitable for single or multiple cables.
- Quick & easy means of conduit termination using End Caps.
- Securely fasten PP Split & PPmod conduit using Conduit Support Clips.
- Quick & secure 'pop-in' style Christmas Tree mounting clips.
- 'P' Clamps for offset mounting.
- Range of conduit tools available.
- Made in Europe.

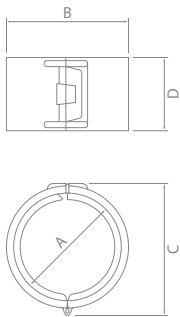


Fig 1

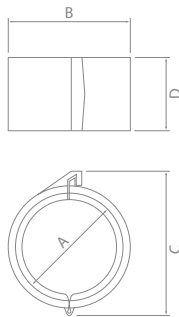


Fig 2



Conduit Support Clips

Part No.	NW - A	NC - A	B (mm)	C (mm)	D (mm)	Pack Qty	Fig
9805940/10	4.5	6	10	12	10	10	1
9805941/10	7.5	8	13	15	13	10	1
9805941/100	7.5	8	13	15	13	100	1
9805939/10	8.5	10	16	18	13	10	2
9805942/10	10	12	16	18	13	10	1
9805943/10	13	16	19	21	13	10	1
9805944/10	17	20	24	26	15	10	1
9805945/10	22	25	29	30	16	10	1

Clips use corrugations to hold conduit in place to stop any lateral movement.

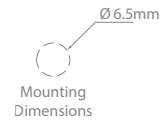
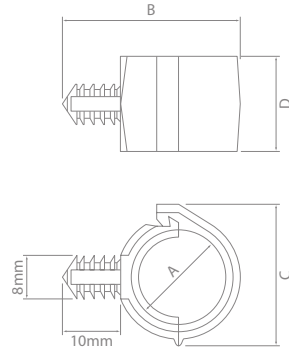


Conduit & Conduit Fittings



9805917/10

9805914/10



Conduit Mounting Clips

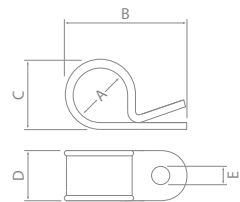
Part No.	NW - A	NC - A	B (mm)	C (mm)	D (mm)	Pack Qty
9805917/10	4.5	6	21	13	13	10
9805911/10	7.5	8	24	16	13	10
9805912/10	8.5	10	25	17	13	10
9805913/10	10	12	27	18	13	10
9805914/10	13	16	30	21	13	10
9805925/10	17	20	35	26	13	10
9805916/10	22	25	40	31	13	10

Clips use corrugations to hold conduit in place to stop any lateral movement.



8211094/10

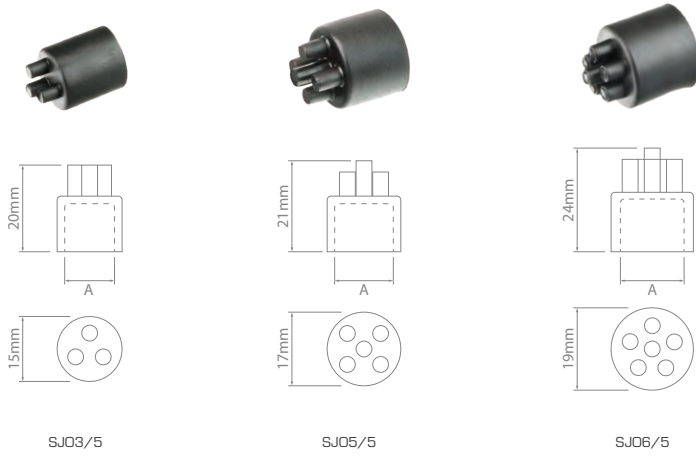
8211019/10



'P' Clamps - Heavy Duty

Part No.	A (mm)	B (mm)	C (mm)	D (mm)	E (mm)	Pack Qty
8211060/10	5.7 - 6.3	28	10	16	6.6	10
8211094/10	8.6 - 9.3	30	14	16	6.6	10
8211108/10	9.5 - 10.3	32	15	16	6.6	10
8211124/10	11.5 - 12.3	34	17	16	6.6	10
8211000/10	12.3 - 13.3	36	18	16	6.6	10
8211035/10	15.5 - 16.3	38	121	16	6.6	10
8211019/10	21.4 - 22.3	47	27	19	6.6	10
8211027/10	24.4 - 25.3	58	32	23	8.6	10

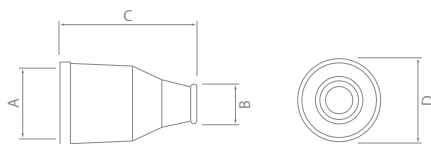
Conduit & Conduit Fittings



Conduit End Caps

Part No.	NW – A	NC – A	No. of Outlets	Pack Qty
SJ03/5	8.5 – 10	10 – 12	3	5
SJ05/5	10	12	5	5
SJ06/5	13	16	6	5

Single cable outlets can be achieved by trimming the end from an individual gland.



SJ12/5



Conduit End Sleeves

Part No.	NW – A	NC – A	Outlet Ø – B (mm)	C (mm)	D (mm)	Pack Qty
SJ12/5	10	12	4 – 8	29	18	5
SJ16/5	13	16	6 – 10	33	22	5
SJ20/5	17	20	9 – 15	33	27	5
SJ25/5	22	25	10 – 17	47	29	5
SJ32	29	32	12 – 20	48	35	1
SJ40	37	40	19 – 30	47	44	1



Conduit & Conduit Fittings



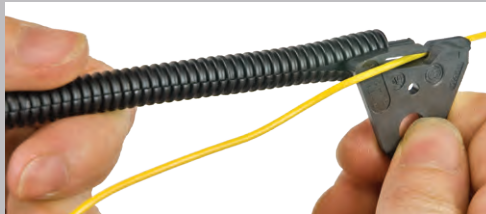
Conduit Tools

Part No.	Description	Suitable Conduit Size (NW)	Suits	Fig
9001511	Single cable insertion tool	6 – 13	Lockable & Split	1
9001520	Universal cable insertion tool with offset flange	10 – 26	Lockable & Split	2
9001543	Universal cable insertion tool – small	8.5 – 12	Lockable & Split	3
9001550	Universal cable insertion tool – large	13 – 26	Lockable & Split	3
9001558	Closing tool for PPmod Lockable conduit – Black	8.5 V	Lockable	4
9001561	Closing tool for PPmod Lockable conduit – Grey	11 V	Lockable	4
9001552	Closing tool for PPmod Lockable conduit – Blue	13 V	Lockable	4
9001567	Closing tool for PPmod Lockable conduit – Yellow	15 V	Lockable	4
9001555	Closing tool for PPmod Lockable conduit – Green	19 V	Lockable	4
9001564	Closing tool for PPmod Lockable conduit – Red	26 V	Lockable	4

Using Conduit Tools



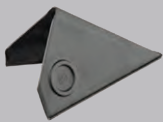
Single Cable Insertion Tool



Insert the point of the single cable insertion tool into end of conduit with cable as shown.



While holding end of conduit with cable, pull the insertion tool down the length of conduit.



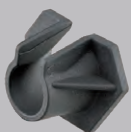
Universal Cable Insertion Tool



Insert tool wedge containing wires into conduit split.



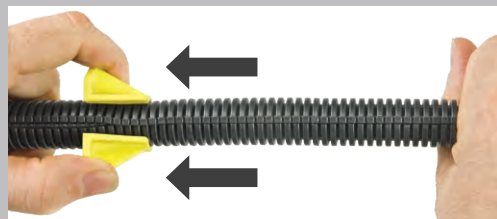
Drag insertion tool down the length of conduit whilst holding cables.



Closing Tool



Pinch one end of PPmod Lockable conduit closed and squeeze on closing tool.



While holding one end pull the locking tool down the length of conduit.

Conduit & Conduit Fittings

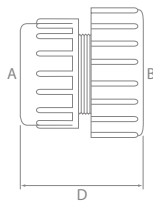
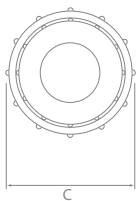
- Attach military spec. & TE DEUTSCH HD Series connectors to a sealed conduit system.
- Compatible with Polyflex PA6 conduit – page 9.
- Seals to IP67 using supplied conical seal with PA6 conduit.
- Suitable for hazardous applications when used with PA6 conduit.
- Made in Europe.



Adaptor Body :
Conical Seal :
Cap Nut :

Polycarbonate
Neoprene
Polyamide 6

Made in Europe



Military Plug Adaptor Kits

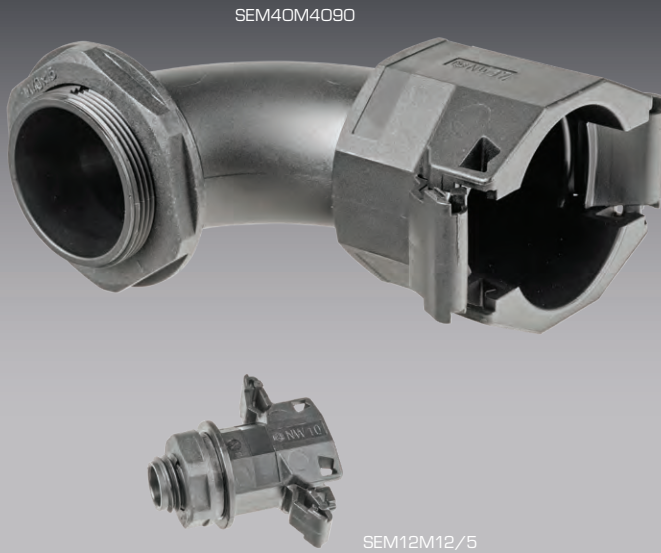
Part No.	NW – A	NC – A	Thread Size – B	C (mm)	D (mm)	Notes
SF02	10	12	7/8" -20 UNEF	36	31	
SF06	10	12	1" -20 UNEF	39	35	
SF03	17	20	1" -20 UNEF	36	35	
SF01	17	20	M35 x 1.75	36	35	Suits TE DEUTSCH HDP Series with LO15 mod.
SF04	17	20	1, 3/16" -18 UNEF	36	38	Suits TE DEUTSCH HD36-18 adaptors
SF05	22	25	1, 7/16" -18 UNEF	38	44	Suits TE DEUTSCH HD36-24 adaptors
SF12	22	25	1, 5/8" -18 UNEF	44	48	
SF14	22	25	M34 x 1.25	45	41	
SF13	29	32	1, 5/8" -18 UNEF	45	48	

Kits contain: 1 x Adaptor Body, 1 x Conical Seal & 1 x Cap Nut.



Conduit & Conduit Fittings

SEM-FAST Adaptors



- Flame retardant & halogen free Polyamide 6.
- Compatible with PA6, PPmod or PP Split conduit.
- Special lock-in design.
- High tensile strength.
- Seals to IP67 using supplied 'O' Ring, only with PA6 conduit.
- Made in Europe.

Made in Europe

Adaptor Body : Polyamide 6 (PA6)
 'O' Ring : Perbunane
 Burning Behaviour : According to FMVSS 302 < 100mm/min

Using SEM-FAST Adaptor Kits



To create a seal of up to IP67* use the supplied 'O' Ring in the first groove of the conduit.
 * IP67 seal can only be achieved when used with PA6 conduit.

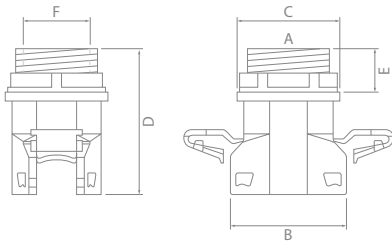


Insert conduit into already 'closed' SEM-FAST adaptor and firmly push in until locking clamps catch.



To remove fitting use a small flat blade screwdriver to disengage clamps from conduit.

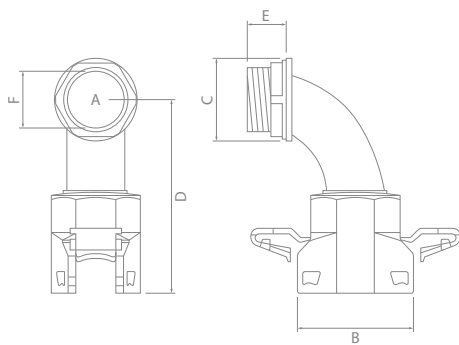
Conduit & Conduit Fittings



SEM-FAST Adaptor Kit – Straight

Part No.	NW – A	NC – A	Thread Size	B (mm)	C (mm)	D (mm)	E (mm)	F (mm)	Pack Qty
SEM8PG7/5	7.5	8	PG7	19	18	34	11	7.5	5
SEM10M12/5	8.5	10	M12 x 1.5	20.6	20	35	11	7.5	5
SEM12M12/5	10	12	M12 x 1.5	21.6	22	36	12	7.5	5
SEM12M16/5	10	12	M16 x 1.5	21.6	22	36	12	11	5
SEM16M16/5	13	16	M16 x 1.5	25.5	25	38	12	11	5
SEM16M20/5	13	16	M20 x 1.5	25.5	25	38	12	15.2	5
SEM20M20/5	17	20	M20 x 1.5	34.5	31	43	13	15.4	5
SEM20M25/5	17	20	M25 x 1.5	34.5	31	43	13	19.1	5
SEM25M25/5	22	25	M25 x 1.5	40.5	36	48	13	25	5
SEM32M32	29	32	M32 x 1.5	49.5	46	52	15	25.5	1
SEM40M40	37	40	M40 x 1.5	59	55	62	17	34	1
SEM50M63	50	50	M63 x 1.5	72	83	68	19	54	1

Kits contain: 1 x Adaptor Body, 1 x Flat Washer, 1 x Nut, 1 x 'O' Ring.



SEM-FAST Adaptor Kit – 90°

Part No.	NW – A	NC – A	Thread Size	B (mm)	C (mm)	D (mm)	E (mm)	F (mm)	Pack Qty
SEM12M1690/5	10	12	M16 x 1.5	21.6	20	49.3	12	9.5	5
SEM16M1690/5	13	16	M16 x 1.5	25.5	20	51.8	12	9.5	5
SEM16M2090/5	13	16	M20 x 1.5	25.5	25	59.3	12	13.5	5
SEM20M2090/5	17	20	M20 x 1.5	34.5	25	58.3	12	13.5	5
SEM20M2590/5	17	20	M25 x 1.5	34.5	31	64.5	13	17	5
SEM32M3290	29	32	M32 x 1.5	49.5	38	74.6	13	23	1
SEM40M4090	37	40	M40 x 1.5	59	48	92.5	15	31	1
SEM50M6390	50	50	M63 x 1.5	72	83	125.1	19	54	1

Kits contain: 1 x Adaptor Body, 1 x Flat Washer, 1 x Nut, 1 x 'O' Ring.



Conduit & Conduit Fittings

Threadconnect Adaptors



SD40M40

- Compatible with PA6 or PPmod Lockable conduit.
- Halogen free.
- Wide range of sizes.
- Seals to IP67 using supplied conical seal with PA6 conduit.
- Made in Europe.

SD12M1690/5



Made in Europe

Adaptor Body :
 'O' Ring :
 Flat Washer :

Polyamide 6 (PA6)
 Neoprene
 Perbunane

Using Threadconnect Adaptor Kits



For maximum effectiveness the conical seal must be placed at least two corrugations back from the end of the conduit, as shown above.



Tighten firmly by hand to ensure an IP67* rated connection.

* IP67 seal can only be achieved when used with PA6 conduit.



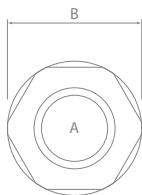
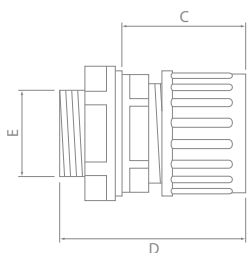
For maximum effectiveness the conical seal must be placed at least two corrugations back from the end of the conduit, as shown above.



When tightening 90° Kits, the locking washer will click into the grooves in the cap nut ensuring a secure, slip-free IP67* rated connection.

* IP67 seal can only be achieved when used with PA6 conduit.

Conduit & Conduit Fittings



SD32M32

Threadconnect Adaptor Kits – Straight

Part No.	NW – A	NC – A	Thread Size	B (mm)	C (mm)	D (mm)	E (mm)	Pack Qty
SD10M16/5	8.5	10	M16 x 1.5	25	25	38	16	5
SD12M16/5	10	12	M16 x 1.5	25	29	40	16	5
SD12M20/5	10	12	M29 x 1.5	29	29	40	20	5
SD12PG11/5	10	12	PG11	26	29	40	19	5
SD16M16/5	13	16	M16 x 1.5	27	26	38	16	5
SD16M20/5	13	16	M20 x 1.5	27	26	38	20	5
SD16PG13/5	13	16	PG13	29	26	34	20	5
SD20M20/5	17	20	M20 x 1.5	32	28	42	20	5
SD20PG16/5	17	20	PG16	34	28	40	23	5
SD25M25/5	22	25	M25 x 1.5	46	35	49	25	5
SD25M32/5	22	25	M32 x 1.5	50	33	48	32	5
SD32M32	29	32	M32 x 1.5	52	35	49	32	1
SD32PG29	29	32	PG29	52	35	49	37	1
SD40M40*	37	40	M40 x 1.5	63	37	49	40	1
SD50M50*	50	50	M50 x 1.5	76	37	49	50	1

Kits contain: 1 x Adaptor Body, 1 x Flat Washer, 1 x Nut, 1 x Conical Seal & 1 x Cap Nut.

* Supplied with 'O' Ring & Acetal Clamping Ring instead of Flat Washer & Conical Seal. Seals to IP54.

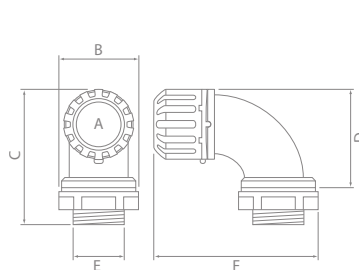


Fig 1

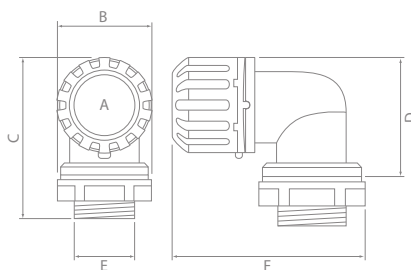


Fig 2



SD25M2590/5

Threadconnect Adaptor Kits – 90°

Part No.	NW – A	NC – A	Thread Size	B (mm)	C (mm)	D (mm)	E (mm)	F (mm)	Pack Qty	Fig
SD10M1690/5	8.5	10	M16 x 1.5	25	46	35	16	59	5	1
SD12M1690/5	10	12	M16 x 1.5	25	46	35	16	59	5	1
SD16M1690/5	13	16	M16 x 1.5	26	47	35	16	59	5	1
SD16M2090/5	13	16	M20 x 1.5	29	49	36	20	60	5	1
SD20M2090/5	17	20	M20 x 1.5	31	52	44	20	62	5	1
SD25M2590/5	22	25	M25 x 1.5	39	62	47	25	74	5	1
SD32M3290	29	32	M32 x 1.5	47	70	54	32	81	1	2

Kits contain: 1 x Adaptor Body, 1 x Flat Washer, 1 x Nut, 1 x Conical Seal & 1 x Cap Nut.



Conduit & Conduit Fittings

Threadconnect Fittings



CTPB28



SE20

Made in Europe

- Compatible with PA6 or PPmod Lockable conduit.
- 'T' Piece Locking version supplied with lock washer to prevent cap nut from coming loose.
- Seals to IP67 using supplied conical seal with PA6 conduit.
- Suitable for hazardous applications when used with PA6 conduit.
- Made in Europe.

Adaptor Body :

Conical Seal :

Cap Nut :

Operating Temperature :

Polycarbonate

Neoprene

Polyamide 6

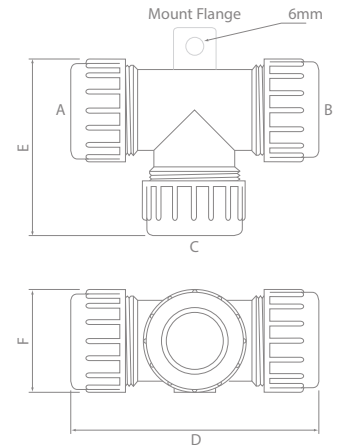
-25°C to 80°C



Adaptor Body

Conical Seal

Cap Nut



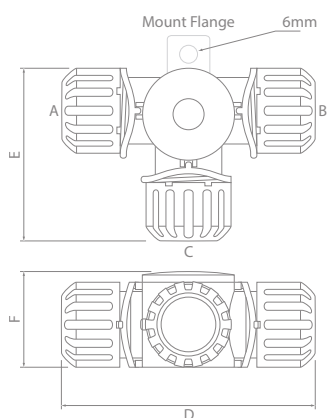
Threadconnect 'T' Piece Kits

Part No.	A	NW B	C	A	NC B	C	Mount Flange	D (mm)	E (mm)	F (mm)	Pack Qty
SE10	8.5	8.5	8.5	10	10	10	No	74	50	24	1
SE12	10	10	10	12	12	12	No	80	53	24	1
SE20	17	17	17	20	20	20	Yes	76	54	32	1
SE25*	22	22	22	25	25	25	Yes	96	83	42	1
SE2520	22	22	17	25	25	20	Yes	96	53	42	1

Kits contain: 1 x Adaptor Body, 3 x Conical Seal & 3 x Cap Nut.

* Supplied with adaptor to achieve outlet size.

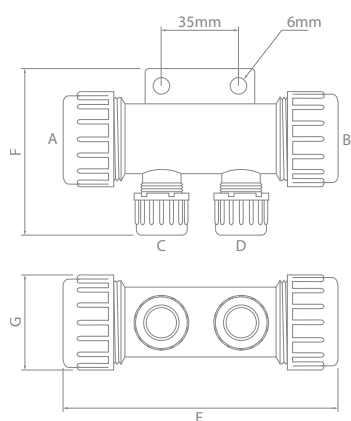
Conduit & Conduit Fittings



Threadconnect 'T' Piece Kits – Locking

Part No.	NW			NC			Mount Flange	D (mm)	E (mm)	F (mm)	Pack Qty
	A	B	C	A	B	C					
CTP12	10	10	10	12	12	12	No	73	52	28	1
CTP16	13	13	13	16	16	16	No	75	53	31	1
CTPB20	17	17	17	20	20	20	No	82	60	36	1
CTPB28	22	22	22	25	25	25	Yes	98	71	43	1
CTPB32	29	29	29	32	32	32	Yes	106	83	50	1

Kits contain: 1 x Adaptor Body, 3 x Locking Washer, 3 x Conical Seal, 3 x Cap Nut & 1 x Adaptor Body Access Cap.
Not compatible with Threadconnect Reducers.



Threadconnect Manifold Kit

Part No.	NW				NC				E (mm)	F (mm)	G (mm)	Pack Qty
	A	B	C	D	A	B	C	D				
SE25X12	22	22	10	10	25	25	12	12	121	73	42	1

Kit contains: 1 x Adaptor Body, 4 x Conical Seal & 4 x Cap Nut.



Conduit & Conduit Fittings

Threadconnect Reducers



SF1612/5



SF2516/5

Made in Europe

- Compatible with PA6 or PPmod Lockable conduit.
- Seals to IP67 using supplied conical seal with PA6 conduit.
- Suitable for hazardous applications when used with PA6 conduit.
- Made in Europe.

Reducer Seal :
Cap Nut :

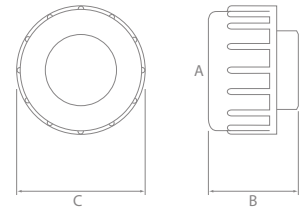
Neoprene
Polyamide 6



SF1208/5



SF2520/5



Threadconnect Reducer Kits

Part No.	NW Size Reduction – A	NC Size Reduction – A	B (mm)	C (mm)	Pack Qty
SF1208/5	10 to 7.5	12 to 8	20	24	5
SF1612/5	13 to 10	16 to 12	22	26	5
SF2012/5	17 to 10	20 to 12	23	32	5
SF2016/5	17 to 13	20 to 16	23	32	5
SF2512/5	22 to 10	25 to 12	23	42	5
SF2516/5	22 to 13	25 to 16	23	42	5
SF2520/5	22 to 17	25 to 20	23	42	5

Kits contain: 1 x Reducer Seal & 1 x Cap Nut.

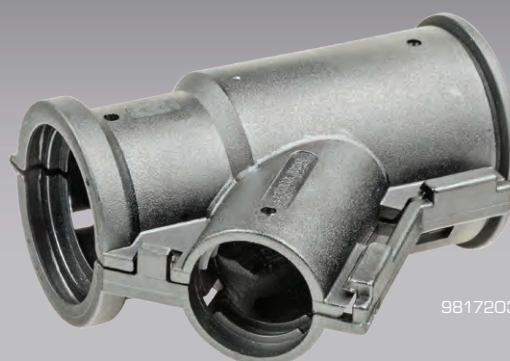
Not Compatible with Threadconnect 'T' Piece – Locking.

Conduit & Conduit Fittings

Hinged 'T' & 'Y' Fittings

- Compatible with PA6, PPmod Lockable or PP Split conduit.
- Snap-lock clips for quick & easy assembly.
- Selected models feature mounting slot compatible with Mounting Clips – see page 29.
- Wide range of sizes.
- Reducers available for more size options – see page 29.
- Made in Europe.

9806097/10

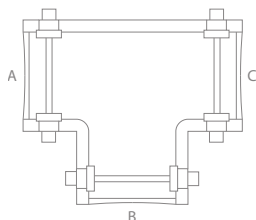


9817203/10

Material : Polyamide 66 (PA66)
 Ingress Protection : IP54
 Operating Temperature : -40°C to 135°C

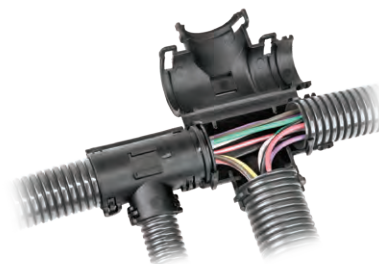
Made in Europe

IP54



Most Hinged Fittings feature a mounting slot. Used with ST-CLIP page 29

9806090/10



T-Piece

Part No.	NW - A-B-C	NC - A-B-C	Mounting Slot	Pack Qty
9806082/10	7.5 - 7.5 - 7.5	8 - 8 - 8	Yes	10
9806088/10	8.5 - 8.5 - 10	10 - 10 - 12	Yes	10
9806086/10	10 - 8.5 - 10	12 - 10 - 12	Yes	10
9806089/10	10 - 10 - 10	12 - 12 - 12	Yes	10
9806090/10	13 - 8.5 - 10	16 - 10 - 12	Yes	10
9806091/10	13 - 10 - 10	16 - 12 - 12	Yes	10
9806092/10	13 - 7.5 - 13	16 - 8 - 16	Yes	10
9806093/10	13 - 13 - 7.5	16 - 16 - 8	Yes	10
9806096/10	17 - 13 - 13	20 - 16 - 16	Yes	10
9806095/10	17 - 7.5 - 17	20 - 8 - 20	Yes	10
9806099/10	17 - 17 - 7.5	20 - 20 - 8	Yes	10
9806196/10	17 - 17 - 17	20 - 20 - 8	Yes	10



Conduit & Conduit Fittings



9806131/10

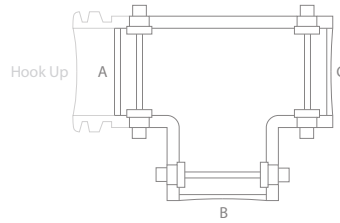


Fig 1

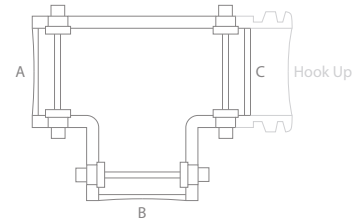


Fig 2

T-Piece – Hook Up

Part No.	NW – A-B-C	NC – A-B-C	Hook Up	Mounting Slot	Pack Qty	Fig
9806130/10	10 – 7.5 – 7.5	12 – 8 – 8	A	No	10	1
9806131/10	13 – 10 – 10	16 – 12 – 12	A	Yes	10	1
9806133/10	8.5 – 8.5 – 8.5	10 – 10 – 10	C	Yes	10	2
9806111/10	10 – 7.5 – 10	12 – 8 – 12	C	Yes	10	2
9806111/100	10 – 7.5 – 10	12 – 8 – 12	C	Yes	100	2
9806160/10	10 – 10 – 7.5	12 – 12 – 8	C	Yes	10	2
9806138/10	10 – 10 – 10	12 – 12 – 12	C	Yes	10	2
9806138/100	10 – 10 – 10	12 – 12 – 12	C	Yes	100	2
9806127/10	13 – 4.5 – 10	16 – 6 – 12	C	Yes	10	2
9806158/10	13 – 7.5 – 13	16 – 8 – 16	C	Yes	10	2
9806118/10	13 – 8.5 – 13	16 – 10 – 16	C	Yes	10	2
9806172/10	13 – 10 – 7.5	16 – 12 – 8	C	Yes	10	2
9806104/10	13 – 13 – 10	16 – 16 – 12	C	Yes	10	2
9806159/10	13 – 13 – 7.5	16 – 16 – 8	C	Yes	10	2
9806101/10	13 – 10 – 13	16 – 12 – 16	C	Yes	10	2
9806115/10	13 – 13 – 13	16 – 16 – 16	C	Yes	10	2
9806115/100	13 – 13 – 13	16 – 16 – 16	C	Yes	100	2

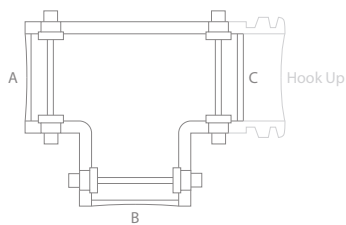
Create Manifold Using Hook Up Outlet

Most Hinged Fittings feature a single outlet with a protruding ridged ring used to "hook up" with other Hinged Fittings creating manifolds.

This ridged ring simulates a piece of corrugated conduit allowing other Hinged Fittings, the next size up, to securely clamp down around it.



Conduit & Conduit Fittings



9806121/10



T-Piece – Hook Up *cont.*

Part No.	NW – A-B-C	NC – A-B-C	Hook Up	Mounting Slot	Pack Qty
9806137/10	17 – 7.5 – 17	20 – 8 – 20	C	Yes	10
9806120/10	17 – 8.5 – 17	20 – 10 – 20	C	Yes	10
9806136/10	17 – 10 – 17	20 – 12 – 20	C	Yes	10
9806107/10	17 – 10 – 13	20 – 12 – 16	C	Yes	10
9806100/10	17 – 7.5 – 13	20 – 8 – 16	C	Yes	10
9806166/10	17 – 13 – 13	20 – 16 – 16	C	Yes	10
9806167/10	17 – 17 – 7.5	20 – 20 – 8	C	Yes	10
9806141/10	17 – 13 – 17	20 – 16 – 20	C	Yes	10
9806135/10	17 – 22 – 17	20 – 25 – 20	C	Yes	10
9806103/10	22 – 17 – 13	25 – 20 – 16	C	Yes	10
9806126/10	22 – 22 – 17	25 – 25 – 20	C	No	10
9806114/10	22 – 13 – 17	25 – 16 – 20	C	No	10
9806113/10	22 – 7.5 – 22	25 – 8 – 25	C	No	10
9806149/10	22 – 8.5 – 22	25 – 10 – 25	C	No	10
9806143/10	22 – 10 – 10	25 – 12 – 12	C	No	10
9806121/10	22 – 10 – 22	25 – 12 – 25	C	No	10
9806108/10	22 – 13 – 22	25 – 16 – 25	C	No	10
9806108/100	22 – 13 – 22	25 – 16 – 25	C	No	100
9806102/10	22 – 22 – 22	25 – 25 – 25	C	No	10
9806124/10	26 – 17 – 13	30 – 20 – 16	C	No	10
9806112/10	26 – 22 – 22	30 – 25 – 25	C	No	10
9806110/10	26 – 26 – 22	30 – 30 – 25	C	No	10
9806129/10	26 – 10 – 26	30 – 12 – 30	C	No	10
9806146/10	26 – 17 – 26	30 – 20 – 30	C	No	10



Conduit & Conduit Fittings

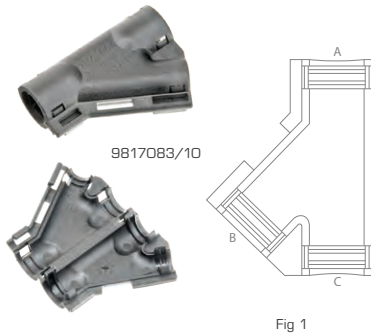


Fig 1

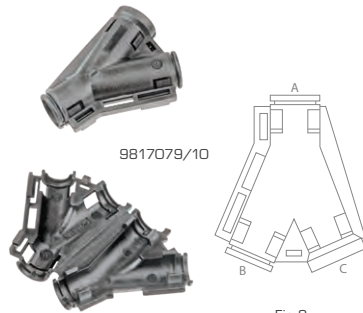


Fig 2

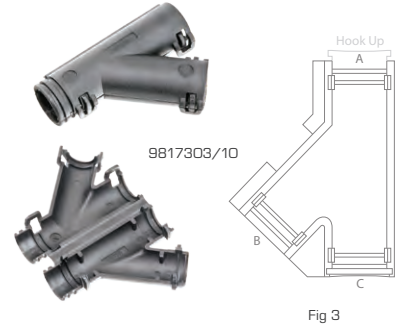


Fig 3



9817311/10

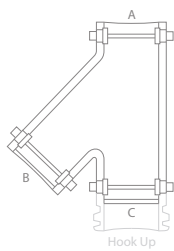


Fig 4



9817201/10

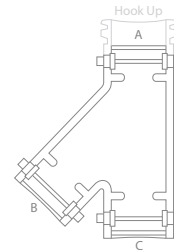


Fig 5

Y-Piece

Part No.	NW - A-B-C	NC - A-B-C	Hook Up	Mounting Slot	Pack Qty	Fig
9817083/10	7.5 - 4.5 - 7.5	8 - 6 - 8	—	Yes	10	1
9817079/10	7.5 - 7.5 - 7.5	8 - 8 - 8	—	Yes	10	2
9817079/100	7.5 - 7.5 - 7.5	8 - 8 - 8	—	Yes	100	2
9817303/10	10 - 10 - 10	12 - 12 - 12	A	Yes	10	3
9817303/100	10 - 10 - 10	12 - 12 - 12	A	Yes	100	3
9817304/10	13 - 7.5 - 10	16 - 8 - 12	C	Yes	10	4
9817306/10	13 - 10 - 10	16 - 12 - 12	C	Yes	10	4
9817305/10	13 - 10 - 13	16 - 12 - 16	C	Yes	10	4
9817305/100	13 - 10 - 13	16 - 12 - 16	C	Yes	100	4
9817308/10	13 - 13 - 13	16 - 16 - 16	C	Yes	10	4
SM200812/10	17 - 7.5* - 10	20 - 8* - 12	C	Yes	10	4
9817310/10	17 - 13 - 10	20 - 16 - 12	C	Yes	10	4
9817310/100	17 - 13 - 10	20 - 16 - 12	C	Yes	100	4
9817309/10	17 - 17 - 10	20 - 20 - 12	C	Yes	10	4
9817201/10	17 - 13 - 17	20 - 16 - 20	A	No	10	5
9817201/100	17 - 13 - 17	20 - 16 - 20	A	No	100	5
9817200/10	22 - 10 - 17	25 - 12 - 20	A	No	10	5
9817203/10	22 - 13 - 17	25 - 16 - 20	A	No	10	5
9817202/10	22 - 17 - 17	25 - 20 - 20	A	No	10	5
9817034/10	22 - 10 - 22	25 - 12 - 25	C	No	10	4
9817311/10	22 - 13 - 22	25 - 16 - 25	C	No	10	4
9817302/10	22 - 22 - 22	25 - 25 - 25	C	No	10	4

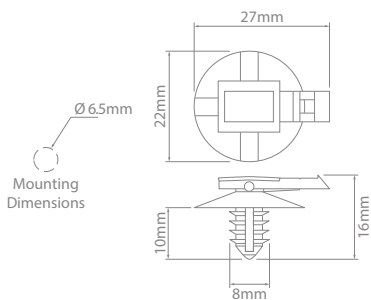
* Reducer supplied to achieve outlet size.

Conduit & Conduit Fittings



Hinged Fitting Reducers

Part No.	NW Size Reduction	NC Size Reduction	Pack Qty	Fig
7807270/10	8.5 to 4.5	10 to 6	10	1
7807272/10	10 to 4.5	12 to 6	10	1
7807276/10	10 to 7.5	12 to 8	10	1
7807288/10	10 to 8.5	12 to 10	10	2
7807278/10	13 to 7.5	16 to 8	10	1
7807280/10	13 to 10	16 to 12	10	1
7807296/10	17 to 13	20 to 16	10	2
7807290/10	22 to 7.5 & 7.5	25 to 8 & 8	10	3
7807294/10	22 to 13	25 to 16	10	2
7807282/10	22 to 17	25 to 20	10	1



Hinged Fitting Mounting Clips

Part No.	Description	Pack Qty
ST-CLIP/10	'Christmas Tree' clip	10

